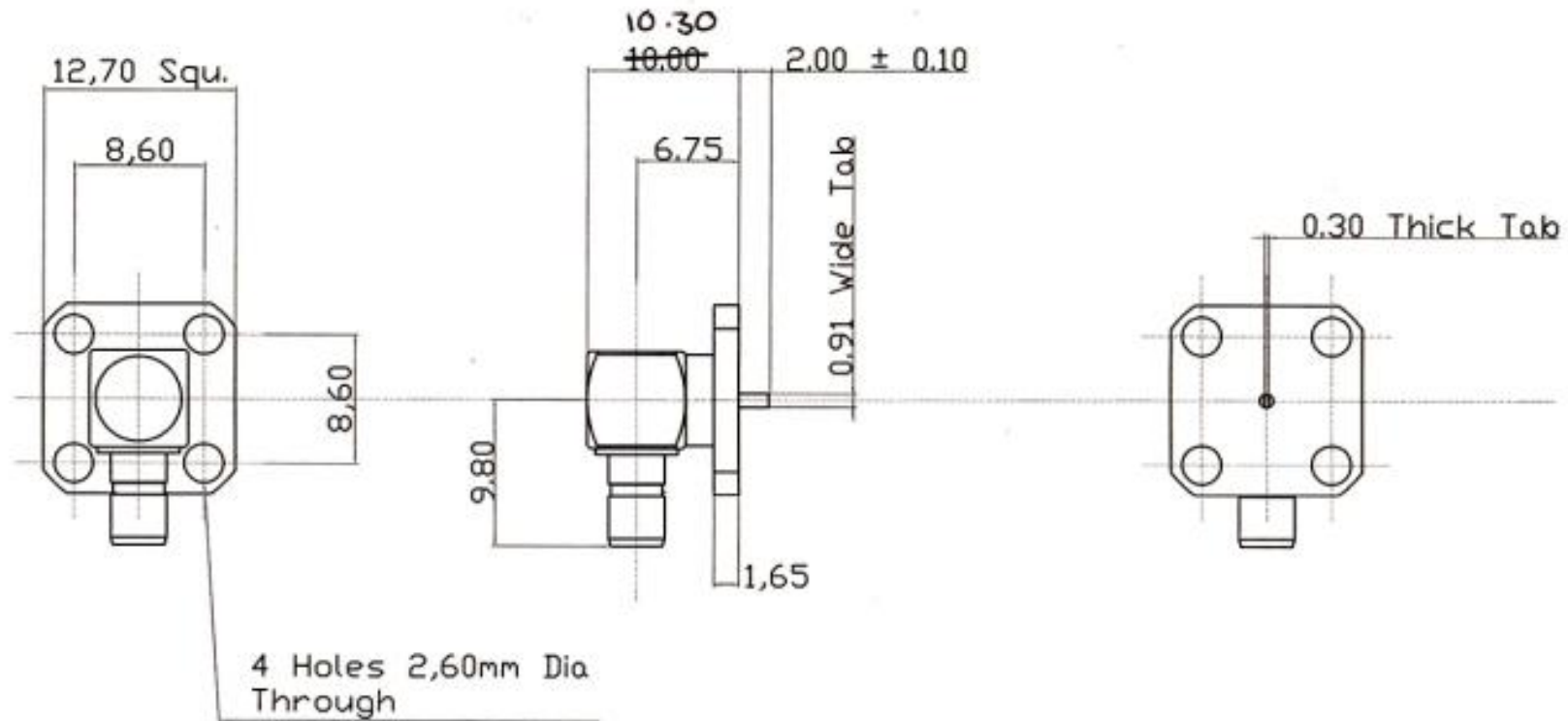
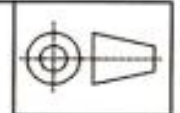


01279 639251

sales@ccsukltd.co.uk



Note: Both contacts to be barbed to retain insulators through temperature cycling.

Item	Material	Plating
Body	Brass	White Bronze
Contact 'A'	Brass	Gold
Contact 'B'	Brass	Gold
Cap	Brass	White Bronze
Insulator	P.T.F.E.	---

**CONNECTORS CABLES**  
**CCS**  
**SPECIALISTS LTD.**

QTY REQD PER ASSY				PARTS LIST					
TOLERANCES UNLESS OTHERWISE SPECIFIED: ± 0.10				MATERIAL		REGRIND	COLOUR	POST TREATMENT	
ANGLES ± 1°				DR L WILSON		APP	CCS LTD Technologies Ltd.		
SURF TEXTURE: REMOVE BURRS, BREAK SHARP EDGES.				CHK		REL			
PROJECT NO. WAS				NAME SMB - Right Angle Panel Plug - Tab Contact					
1	Issued - (SK00266)	10-06-98	L.S.W.	SCALE 2:1	LOC --	SIZE A4	DWG NO 5SMBGV01999XX	SHEET 1 OF 1	REV 1
Rev.	REVISION RECORD, EC-HBR	DATE	DR						